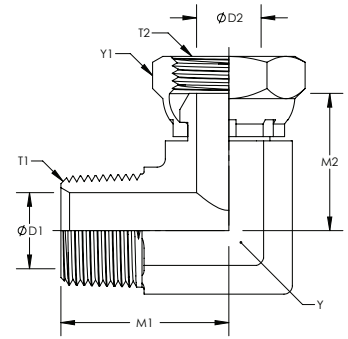


Description:  
Part No.:

**MALE PIPE TO FEMALE PIPE SWIVEL 90°**

Parker: 2107  
Weatherhead: 9405  
Aeroquip: 2047-[R]  
Gates: MP-FPX90



Item #	Y Hex	Y1 Hex	T1	M1	D1	T2	M2	D2
9-1501-2-4	0.563	0.688	1/8-27	0.900	0.188	1/4-18	0.880	0.220
9-1501-4-4	0.563	0.688	1/4-18	1.090	0.281	1/4-18	0.880	0.220
9-1501-4-6	0.750	0.875	1/4-18	1.220	0.281	3/8-18	0.990	0.340
9-1501-6-4	0.750	0.688	3/8-18	1.220	0.406	1/4-18	0.990	0.220
9-1501-6-6	0.750	0.875	3/8-18	1.220	0.406	3/8-18	0.990	0.340
9-1501-6-8	0.875	1.000	3/8-18	1.280	0.406	1/2-14	1.110	0.460
9-1501-8-6	0.875	0.875	1/2-14	1.470	0.531	3/8-18	1.040	0.340
9-1501-8-8	0.875	1.000	1/2-14	1.470	0.531	1/2-14	1.110	0.460
9-1501-8-12	1.063	1.250	1/2-14	1.590	0.531	3/4-14	1.300	0.635
9-1501-12-8	1.063	1.000	3/4-14	1.590	0.719	1/2-14	1.240	0.460
9-1501-12-12	1.063	1.250	3/4-14	1.590	0.719	3/4-14	1.300	0.640
9-1501-12-16	1.313	1.500	3/4-14	1.780	0.719	1-11-1/2	1.540	0.831
9-1501-16-12	1.313	1.250	1-11-1/2	1.970	0.938	3/4-14	1.430	0.640
9-1501-16-16	1.313	1.500	1-11-1/2	1.970	0.938	1-11-1/2	1.540	0.831
9-1501-16-20	1.625	1.875	1-11-1/2	2.350	0.938	1-1/4-11-1/2	1.730	1.087
9-1501-20-16	1.625	1.500	1-1/4-11-1/2	2.380	1.250	1-11-1/2	1.700	0.831
9-1501-20-20	1.625	1.875	1-1/4-11-1/2	2.380	1.250	1-1/4-11-1/2	1.730	1.087