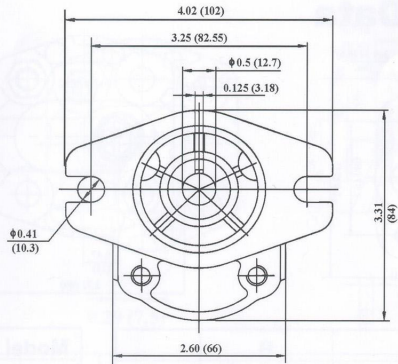
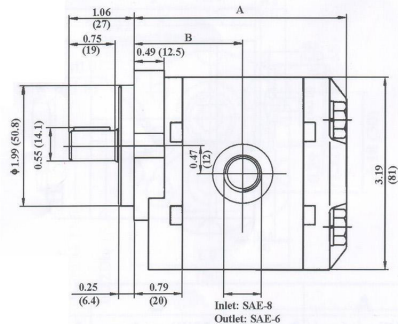


Installation Data



Port Sizes
Inlet - SAE-8 (3/4-16)
Outlet - SAE-6 (9/16-18)

Model	A		B	
	Millimeters	Inches	Millimeters	Inches
GPF1013	82	3.23	42	1.65
GPF1020	84	3.3	43	1.69
GPF1027	86	3.39	44	1.73
GPF1034	88	3.46	45	1.77

Model	A		B	
	Millimeters	Inches	Millimeters	Inches
GPF1041	90	3.54	46	1.81
GPF1051	93	3.66	47.5	1.87
GPF1061	96	3.78	49	1.93