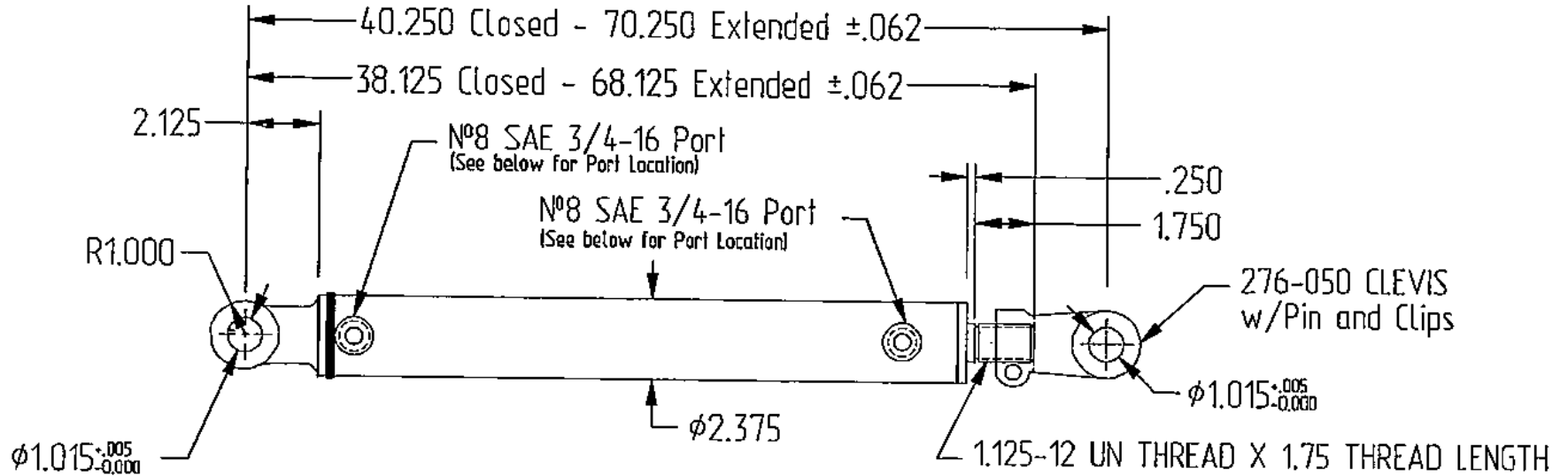


2" Bore X 30" Stroke X 1.125" Rod Dia



Standard Chrome Rod
Max PULL Load: 6443 lbs. @ 3000 psi
Max PUSH Load: 4785 lbs. @ 1524 psi

