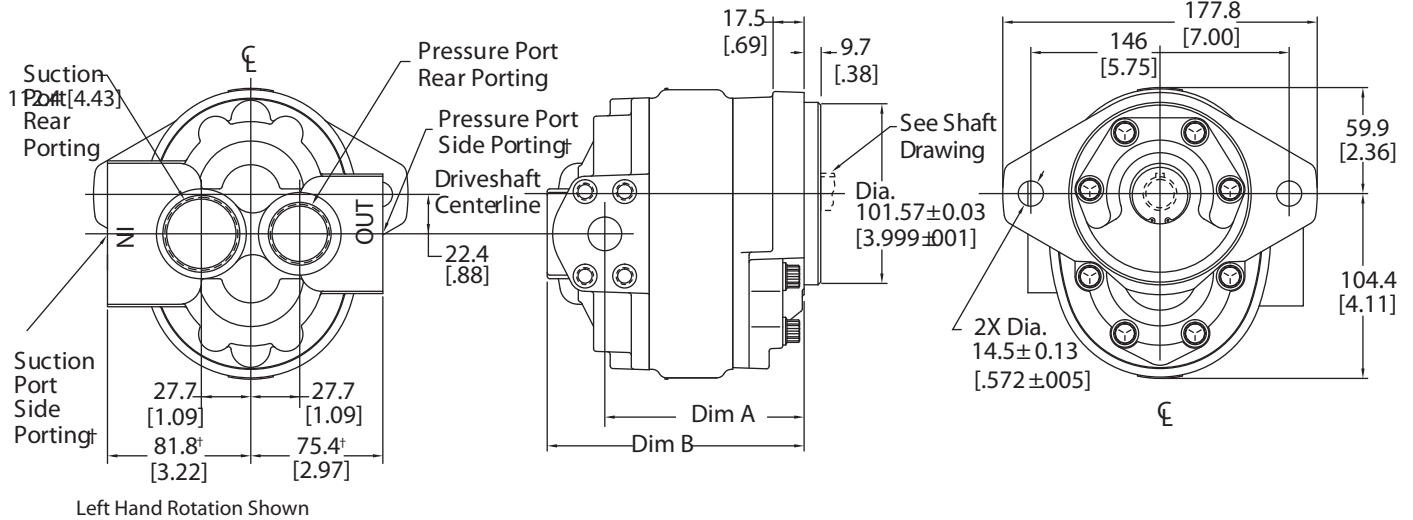


Series L2 Pump Standard Catalog Assemblies - Dimensions

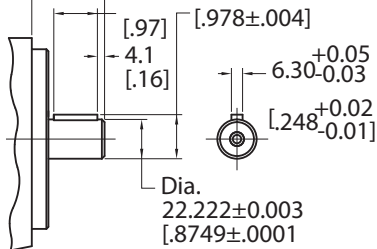
All dimensions are in mm [in].



MODEL	25500	25501	25502	25503	25504	25505	25506	25507	25508
Displacement (cm ³ /r [in ³ /r])	21.3 [1.30]	25.4 [1.55]	29.2 [1.78]	33.6 [2.05]	38.2 [2.33]	42.8 [2.61]	46.7 [2.85]	51.1 [3.12]	55.2 [3.37]
Dimension A (mm [in.])	84.8 [3.34]	88.2 [3.47]	91.7 [3.61]	95.1 [3.75]	98.6 [3.88]	102.0 [4.02]	105.3 [4.14]	109.0 [4.29]	112.4 [4.43]
Dimension B (mm [in.])	117.3 [4.62]	120.8 [4.75]	124.2 [4.89]	127.7 [5.03]	131.1 [5.16]	134.6 [5.30]	137.8 [5.42]	141.5 [5.57]	145.0 [5.71]

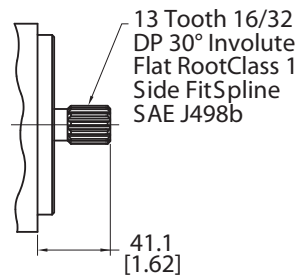
7/8 Inch Straight Key

Maximum Input Torque††
170 Nm [1500 lb-in]



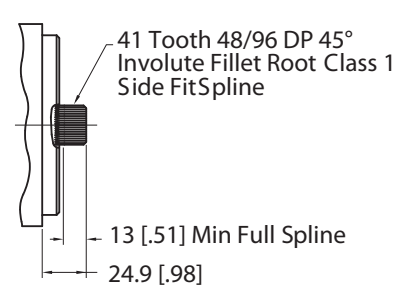
7/8 Inch 13 Tooth Spline

Maximum Input Torque††
209 Nm [1850 lb-in]



7/8 Inch 41 Tooth Spline

Maximum Input Torque††
316 Nm [2800 lb-in]



* Multiple pump input torque limitations:
The total torque for multiple pump displacements and pressure combinations cannot exceed the maximum input torque rating of the shaft. The proper formula is Pressure times Displacement divided by 6.28.