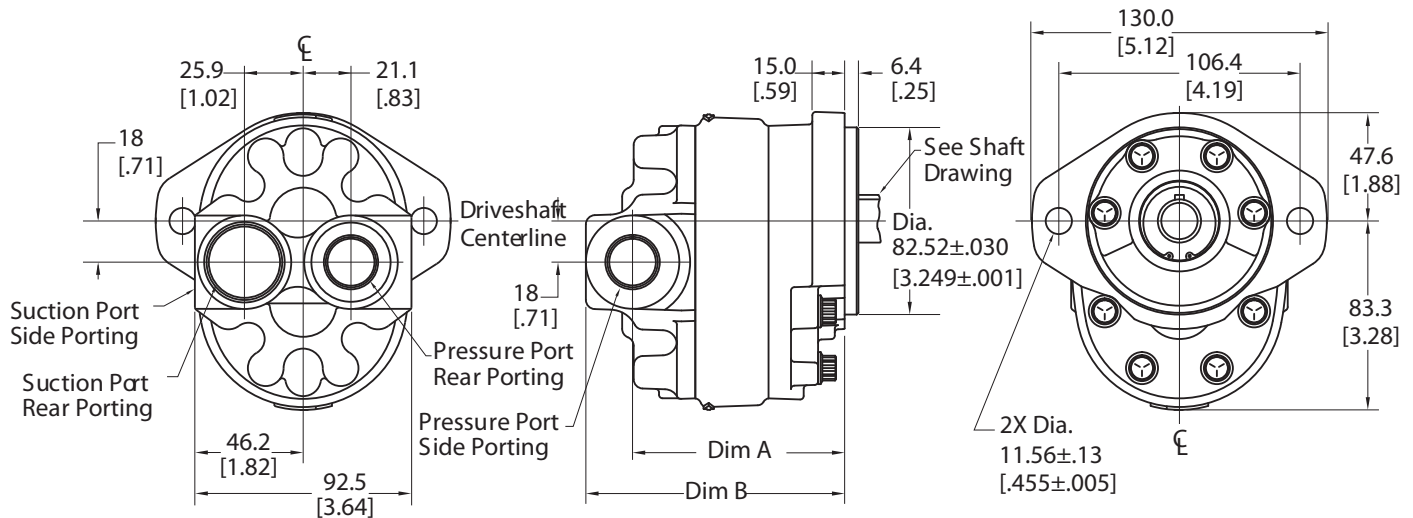


### Series 26 Pump Standard Catalog Assemblies - Dimensions

All dimensions are in mm [in].

\* Multiple pump input torque limitations: the total torque for multiple pump displacements and pressure combinations cannot exceed the maximum input torque

rating of the shaft. The proper formula is Pressure times Displacement divided by 6.28.



Left Hand Rotation Shown

MODEL	26001	26002	26003	26004	26005	26006	26007
Displacement (cm <sup>3</sup> /r [in <sup>3</sup> /r])	6.6 [.40]	8.2 [.50]	9.5 [.58]	10.8 [.66]	13.8 [.84]	16.7 [1.02]	19.7 [1.20]
Dimension A (mm [in])	72.6 [2.86]	74.3 [2.93]	75.9 [2.99]	77.5 [3.05]	80.7 [3.18]	83.9 [3.30]	87.1 [3.43]
Dimension B (mm [in])	93.2 [3.67]	94.9 [3.74]	96.5 [3.80]	98.1 [3.86]	101.3 [3.99]	104.5 [4.11]	107.7 [4.24]

MODEL	26008	26009	26010	26011	26012	26013
Displacement (cm <sup>3</sup> /r [in <sup>3</sup> /r])	22.5 [1.37]	24.3 [1.48]	25.2 [1.54]	27.7 [1.69]	29.0 [1.77]	30.6 [1.87]
Dimension A (mm [in])	90.3 [3.56]	92.7 [3.65]	93.5 [3.68]	96.7 [3.81]	98.6 [3.88]	99.9 [3.93]
Dimension B (mm [in])	110.9 [4.37]	113.3 [4.46]	114.1 [4.49]	117.3 [4.62]	119.1 [4.69]	120.5 [4.74]

5/8 Inch 9 Tooth Spline  
Maximum Input Torque  
62 Nm [550 lb-in]

3/4 Inch 11 Tooth Spline  
Maximum Input Torque  
119 Nm [1050 lb-in]

3/4 Inch Straight Key  
Maximum Input Torque  
113 Nm [1000 lb-in]

5/8 Inch Straight Key  
Maximum Input Torque  
56 Nm [500 lb-in]

