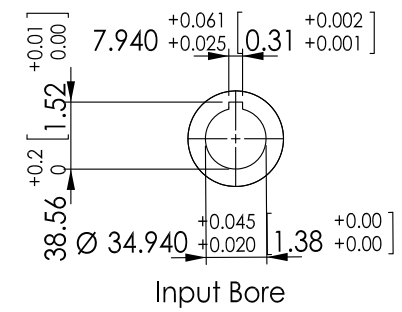


Output shaft



Input Bore