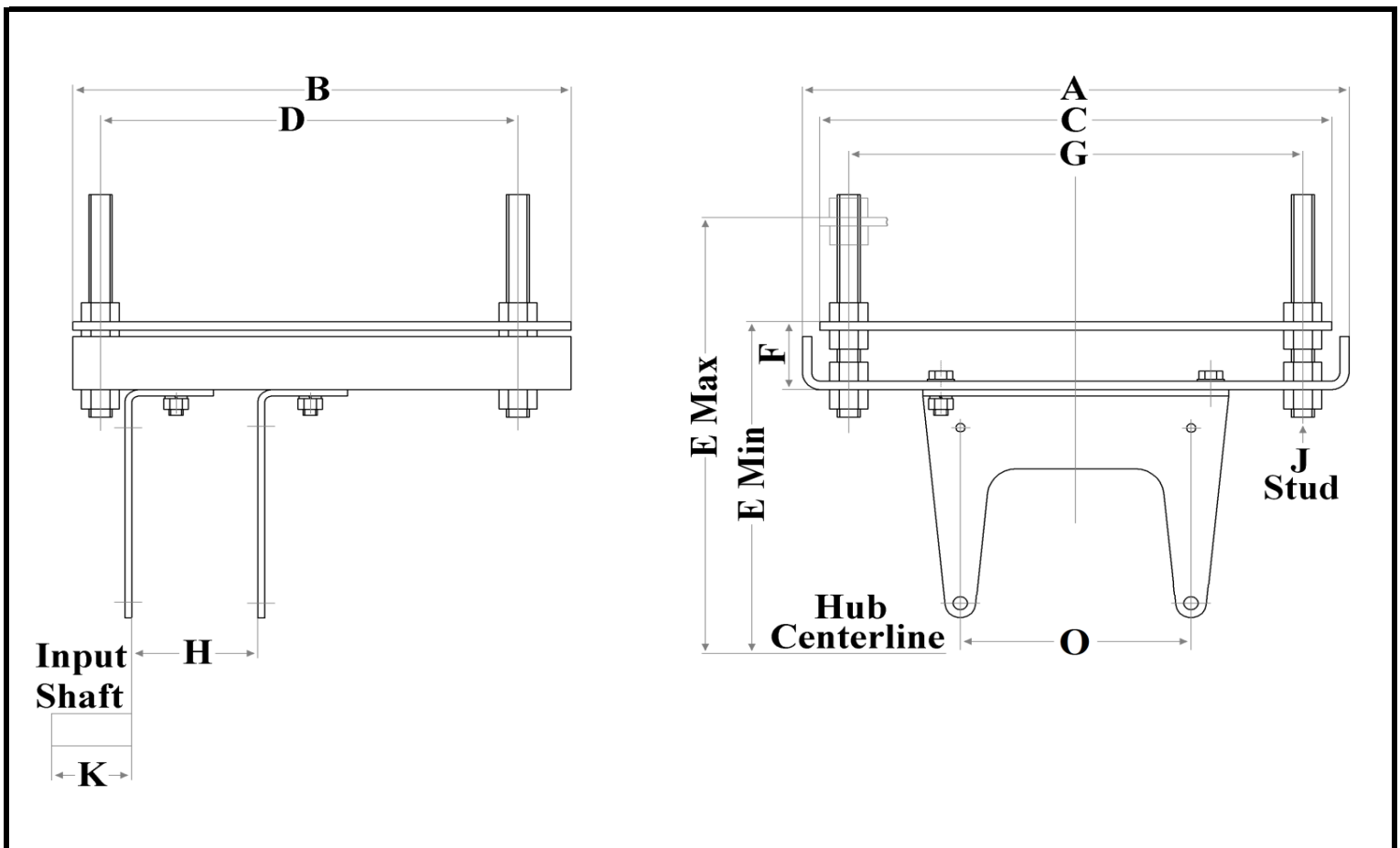


**WORLDWIDE ELECTRIC CORPORATION**  
**SHAFT MOUNT REDUCERS**  
**MOTOR MOUNTS - DIMENSIONS**



**DIMENSIONS - Inches**

| Box Size | NEMA Frame | Model Number | A       | B     | C     | D     | E     |       | F    | G    | H    | J         | K    | O     | Approx. Weight |
|----------|------------|--------------|---------|-------|-------|-------|-------|-------|------|------|------|-----------|------|-------|----------------|
|          |            |              |         |       |       |       | Min.  | Max.  |      |      |      |           |      |       |                |
| 2        | 56T-215T   | MM2          | 14.6457 | 11.02 | 13.54 | 9.25  | 10.35 | 14.76 | 1.65 | 12   | 3.35 | M16 x 185 | 4.25 | 5     | 37             |
| 3        | 56T-215T   | MM3A         | 14.6457 | 11.02 | 13.54 | 9.25  | 11.5  | 15.83 | 1.65 | 12   | 4.29 | M16 x 185 | 4.88 | 7.83  | 39             |
| 4        | 143T-286T  | MM4          | 18.6614 | 17.01 | 17.48 | 14.25 | 11.81 | 16.65 | 2.05 | 15.5 | 4.61 | M20 x 210 | 6.06 | 8.82  | 75             |
| 5        | 143T-286T  | MM5A         | 18.6614 | 17.01 | 17.48 | 14.25 | 12.76 | 17.56 | 2.05 | 15.5 | 4.41 | M20 x 210 | 6.61 | 10.47 | 77             |
| 6        | 143T-326T  | MM6          | 20.4724 | 18.5  | 19.29 | 16.5  | 14.49 | 19.21 | 2.13 | 17.5 | 4.53 | M20 x 210 | 7.24 | 12.2  | 99             |